



YITONG NEW ENERGY

Serving the World
with Our Expertise

Suzhou Yitong New Energy Tech Co., Ltd.

Address: Building 4, 18 Xinyuan Road, Chengxiang Town, Taicang, Suzhou, Jiangsu, China

Tel: 86 186 0158 8655

Email: senk@yitongev.com

SUZHOU YITONG NEW ENERGY TECH CO., LTD.

Focusing on Customized R&D and Manufacturing of EVSE

About Us

Yitong is a technology-based enterprise, focusing on customized R&D and manufacturing of electric vehicle charging equipment. Located in Haimei ST Industrial Park in Taicang City, Yitong has been deeply involved in the new energy industry since 2016. Its EV connectors have obtained a number of national patents and been awarded the "Outstanding Enterprise of EV Plugs" many times by the China Charging Facilities Review Committee. The products manufactured by Yitong also won many international design awards for their appearances and functionalities.

We are dedicated to driving the future of sustainable transportation by offering innovative and reliable EV charging solutions. We specialize in OEM and ODM services, accommodating even small starting quantities to meet diverse customer needs. We pride in our success in developing and manufacturing EV chargers and connectors which turned out to be market best-sellers.



GB/T AC EV Charging Cable



- Complying with GB/T 20234.2-2015 regulations and requirements;
- Ergonomically designed, the elegant GB/T connector is easy to plug and unplug.



- A safety insulation design is adopted at the head of terminal pins to prevent accidental direct contact by human hands;
- IP55 overall protection level;
- Available in black and white.

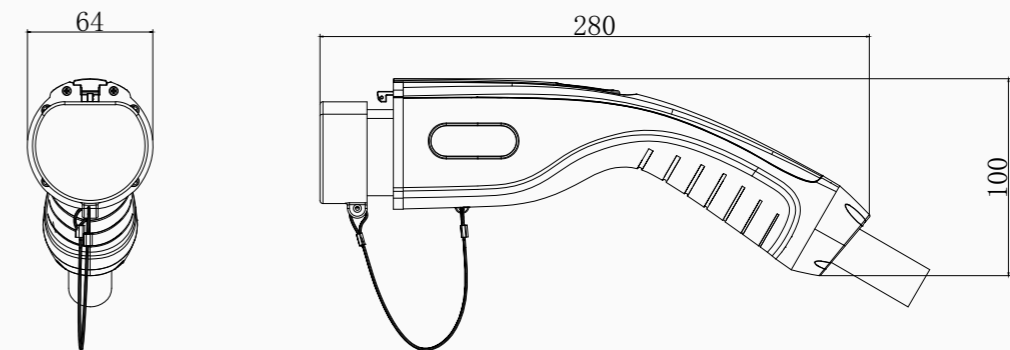
Product Parameters

Model	Current	Cable Spec.	Cable OD
YT-AGP-1.0-16AS	16A	3*2.5MM ² +1*0.75MM ²	12.5MM
YT-AGP-1.0-16TS	16A	5*2.5MM ² +1*0.75MM ²	14.6MM
YT-AGP-1.0-32AS	32A	3*6MM ² +1*0.75MM ²	16.3MM
YT-AGP-1.0-32TS	32A	5*6MM ² +1*0.75MM ²	20MM

Detailed Specifications

Rated Current	16A/32A	Mechanical Life	10000 times of unloaded plug in/ off
Rated Voltage	250V AC/440V AC	Protection Level	IP55
Insulation Resistance	1000MΩ (DC500V)	Enclosure Material	PC
Contact Resistance	0.5MΩMaX	Terminal Pins	Silver-plated copper
Withstand Voltage	2500V	Working Temp.	-30°C~50°C
Fire-proof Rating	UL94V-0	Warranty	24 months
Certification	CCC, CQC		

Product Outline Drawing



G1.0 Type 2 AC EV Charging Cable



- Complying with IEC 62196-2-2016 standards;
- Ergonomically designed, the elegant EV connector is easy to plug and unplug.



- IP67 protection level for the plug enclosure;
- Able to withstand dropping from 1 meter height and running-over by a 2-ton vehicle;
- Available in black and white.

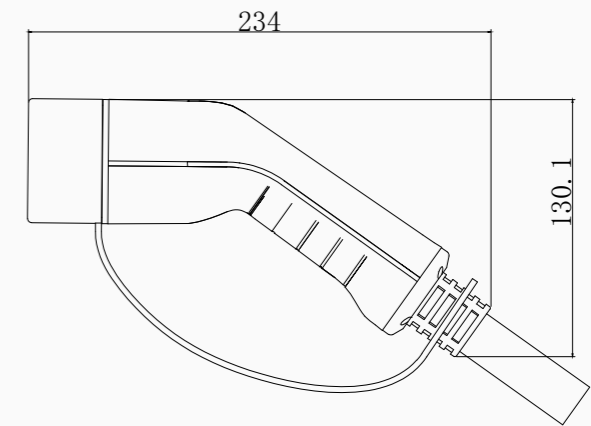
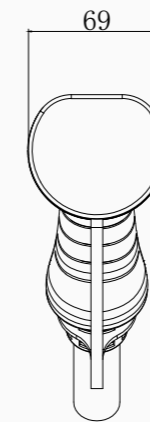
Product Parameters

Model	Current	Cable Spec.	Cable OD
YT-AIF-1.0-16AS	16A	3*2.5MM ² +1*0.5MM ²	10.5MM
YT-AIF-1.0-16TS	16A	5*2.5MM ² +1*0.5MM ²	13.5MM
YT-AIF-1.0-32AS	32A	3*6MM ² +1*0.5MM ²	13.5MM
YT-AIF-1.0-32TS	32A	5*6MM ² +1*0.5MM ²	16.8MM

Detailed Specifications

Rated Current	16A/32A	Mechanical Life	10000 times of unloaded plug in/ off
Rated Voltage	250V AC/480V AC	Protection Level	IP54
Insulation Resistance	1000MΩ (DC500V)	Enclosure Material	PC
Contact Resistance	0.5MΩMaX	Terminal Pins	Silver-plated copper
Withstand Voltage	2000V	Working Temp.	-30°C~50°C
Fire-proof Rating	UL94V-0	Warranty	24 months
Cable Jacket	TPU	Certification	TUV/CE/UKCA/CB

Product Outline Drawing



Type 1 AC EV Charging Cable



- Complying with SAE J1772-2010 standards;
- Sold in tens of thousands every year, this UL certified Type 1 EV cable is reliable and stable in quality;
- Available in black and white.

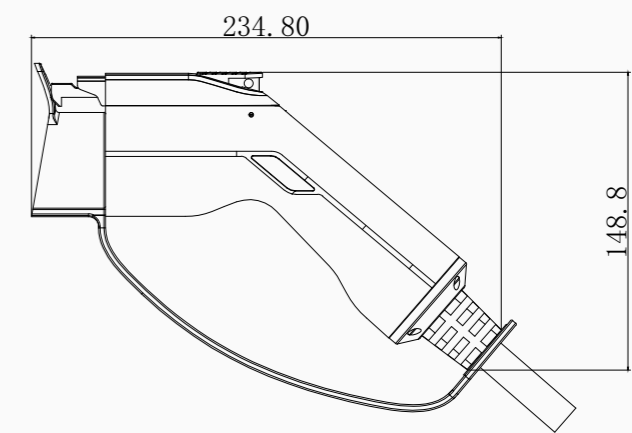
Product Parameters

Model	Current	Cable Spec.	Cable OD
YT-ASF-1.0-16AS	16A	3*14AWG+1*18AGW	14MM
YT-ASF-1.0-32AS	32A	3*10AWG+1*18AGW	16MM
YT-ASF-1.0-40AS	40A	3*9AWG+1*18AGW	20MM
YT-ASF-1.0-48AS	48A	2*8AWG+10AWG+2*18AGW	20.5MM

Detailed Specifications

Rated Current	16A/32A/40A/48A	Mechanical Life	10000 times of unloaded plug in/ off
Working Voltage	240V	Protection Level	IP54
Insulation Resistance	>1000MΩ (DC1000V)	Terminal Temp. Rise	<50K
Contact Resistance	0.5MΩMaX	Terminal Pins	Silver-plated copper
Withstand Voltage	2000V	Working Temp.	-30°C~50°C
Fire-proof Rating	UL94V-0	Certification	UL

Product Outline Drawing



Type 2-to-Type 2 EV Charging cable



- The two EV connectors complies with IEC 62196-2: 2016 standards;
- The cable assembly complies with IEC 61851-1 2010 charging mode 3 connection method B2 standards.



- Made of reliable materials which are flame retardant, pressure resistant, wear-resistant, impact resistant, highly oil-resistant, etc;
- Available in black and white.

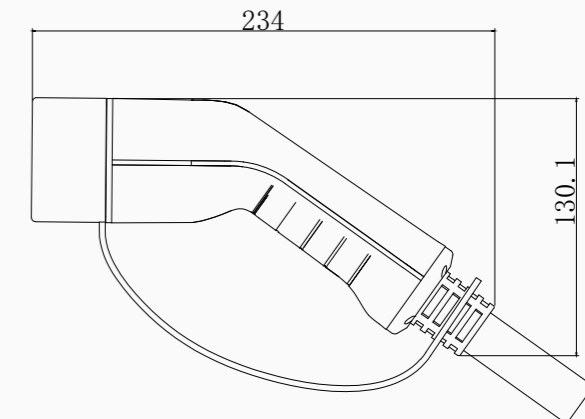
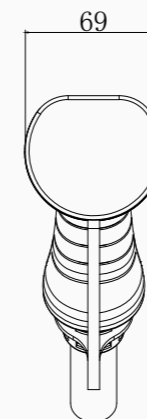
Product Parameters

Model	Current	Cable Spec.
YT-IP3-1.0-16AS	16A	3*2.5MM ² +1*0.5MM ²
YT-IP3-1.0-16AT	16A	5*2.5MM ² +1*0.5MM ²
YT-IP3-1.0-32AS	32A	3*6MM ² +1*0.5MM ²
YT-IP3-1.0-32AT	32A	5*6MM ² +1*0.5MM ²

Detailed Specifications

Rated Current	16A/32A	Mechanical Life	10000 times of unloaded plug in/ off
Rated Voltage	250V/480V	Protection Level	IP54
Insulation Resistance	2000MΩ (DC2000V)	Enclosure Material	PC
Contact Resistance	0.5MΩMaX	Terminal Pins	Silver-plated copper
Withstand Voltage	2000V	Working Temp.	-30°C~50°C
Fire-proof Rating	UL94V-0	Certification	TUV/CE/UKCA/CB
Cable Jacket	TPU	Cable Color	Customizable
Certification	TUV/CE/UKCA/CB		

Product Outline Drawing



Type 2 to Type 1/ GBT/ NACS EV Adapter Cable



Type 2 to Type 1 EV Cable



Type 2 to GB/T EV Cable



Type 2 to NACS EV Cable

- The cable assemblies comply with IEC 61851-12010 charging mode 3 connection method B2 standards;
- Made of reliable materials which are flame retardant, pressure resistant, wear-resistant, impact resistant, highly oil-resistant, etc;
- Available in black and white.

Product Parameters

Type	Model	Current	Cable Spec.
Type 2 to GB/T	YT-IG3-AC1.0-16AS	16A	3*2.5MM ² +1*0.5MM ²
	YT-IG3-AC1.0-16AT	16A	5*2.5MM ² +1*0.5MM ²
	YT-IG3-AC1.0-32AS	32A	3*6MM ² +1*0.5MM ²
	YT-IG3-AC1.0-32AT	32A	5*6MM ² +1*0.5MM ²
Type 2 to Type 1	YT-IS3-AC1.0-16AS	16A	3*2.5MM ² +1*0.5MM ²
	YT-IS3-AC1.0-32AS	32A	3*6MM ² +1*0.5MM ²
Type 2 to NACS	YT-IN3-AC1.0-16AS	16A	3*2.5MM ² +1*0.5MM ²
	YT-IN3-AC1.0-32AS	32A	3*6MM ² +1*0.5MM ²

Detailed Specifications

Rated Current	16A/32A
Rated Voltage	250V/480V
Insulation Resistance	2000MΩ (DC2000V)
Contact Resistance	0.5MΩMaX
Withstand Voltage	2000V
Fire-proof Rating	UL94V-0
Cable Jacket	TPU
Mechanical Life	>10000 times' plug in/ off
Protection Level	IP54
Enclosure Material	PC
Terminal Pins	Silver-plated copper
Working Temp.	-30°C~50°C
Certification	TUV/CE/UKCA/CB
Cable Color	Customizable

GB/T DC EV Charging Cable



- Complying with GB/T20234 standards;
- A product winning US "IDEA Award";
- Ergonomically designed, it is easy to plug and unplug.

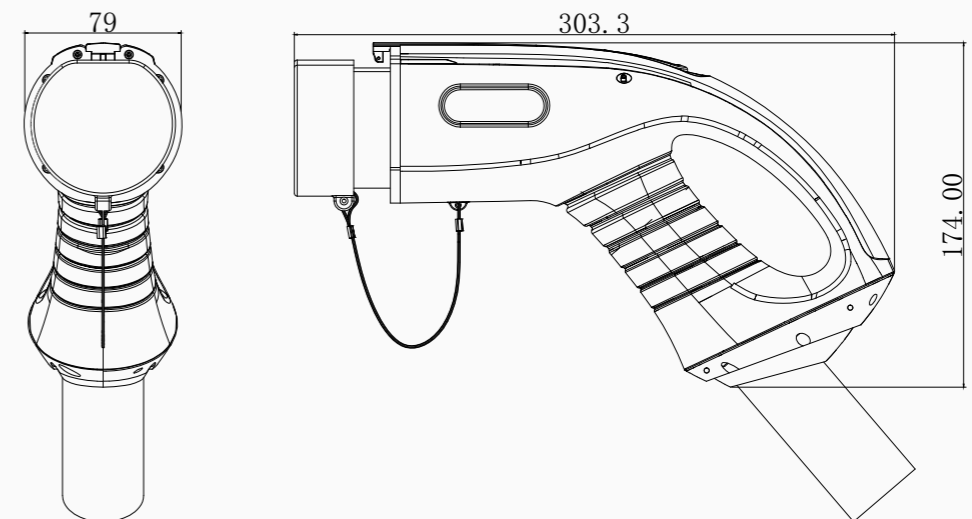
Product Parameters

Model	Current	Cable Spec.	Cable OD
YT-DGI-1.0-80A	80A	2X25MM ² +25MM ² +2X4MM ² +2P(2X0.75MM ²)+P(7X0.75MM ²)	33.5MM
YT-DGI-1.0-125A	125A	2X35MM ² +25MM ² +2X4MM ² +2P(2X0.75MM ²)+P(7X0.75MM ²)	35MM
YT-DGI-1.0-200A	200A	2X70MM ² +25MM ² +2X4MM ² +2P(2X0.75MM ²)+P(7X0.75MM ²)	40MM
YT-DGI-1.0-250A	250A	2X80MM ² +25MM ² +2X4MM ² +2P(2X0.75MM ²)+P(7X0.75MM ²)	42MM

Detailed Specifications

Rated Current	80A/125A/200A/250A	Mechanical Life	10000 times of unloaded plug in/ off
Rated Voltage	750V DC/1000V DC	Protection Level	IP55
Insulation Resistance	2000MΩ(DC2000V)	Enclosure Material	PC
Contact Resistance	0.5MΩMaX	Terminal Pins	Silver-plated copper
Withstand Voltage	3000V	Working Temp.	-30°C~50°C
Fire-proof Rating	UL94V-0	Warranty	24 months
Plug in/ off Force	70N<F<140N	Certification	CCC

Product Outline Drawing



G2.0 Type 2 AC EV Charging Cable



- Complying with IEC 62196-2-2016 standards;
- Two versions available: the regular version and the premium version which opens the EV inlet at one touch of button;
- Lighting feature is optional as a replacement to the feature of one button to open the Tesla EV inlet;
- The color of the connector tail can be customized.

Product Parameters

Model	Current	Cable Spec.	Cable OD	Remark
YT-UC-AC2.0-16AS-A	16A	3*2.5MM ² +1*0.5MM ²	10.5MM	Regular Version
YT-UC-AC2.0-16TS-A	16A	5*2.5MM ² +1*0.5MM ²	13.5MM	
YT-UC-AC2.0-32AS-A	32A	3*6MM ² +1*0.5MM ²	13.5MM	
YT-UC-AC2.0-32TS-A	32A	5*6MM ² +1*0.5MM ²	16.8MM	Lighting or One-button Inlet Opening Version
YT-UC-AC2.0-16AS-B	16A	3*2.5MM ² +2*0.5MM ²	10.5MM	
YT-UC-AC2.0-16TS-B	16A	5*2.5MM ² +2*0.5MM ²	13.5MM	
YT-UC-AC2.0-32AS-B	32A	3*6MM ² +2*0.5MM ²	13.5MM	Lighting or One-button Inlet Opening Version
YT-UC-AC2.0-32TS-B	32A	5*6MM ² +2*0.5MM ²	16.8MM	
YT-UC-AC2.0-16AS-C	16A	3*2.5MM ² +3*0.5MM ²	10.5MM	Lighting or One-button Inlet Opening Version
YT-UC-AC2.0-16TS-C	16A	5*2.5MM ² +3*0.5MM ²	13.5MM	
YT-UC-AC2.0-32AS-C	32A	3*6MM ² +3*0.5MM ²	13.5MM	
YT-UC-AC2.0-32TS-C	32A	5*6MM ² +3*0.5MM ²	16.8MM	

Detailed Specifications

Rated Current	16A/32A
Rated Voltage	250V AC/480V AC
Insulation Resistance	1000MΩ (DC500V)
Contact Resistance	0.5MΩMaX
Withstand Voltage	2000V
Fire-proof Rating	UL94V-0
Cable Jacket	TPU
Mechanical Life	10000 times of unloaded plug in/ off
Protection Level	IP54
Enclosure Material	PC
Terminal Pins	Silver-plated copper
Working Temp.	-30°C~50°C
Warranty	24 months
Certification	TUV/CE/UKCA/CB

G2.0 NACS AC EV Charging Cable



- Complying with IEC 62196-2-2016 standards;
- Elegantly designed, the NACS connector feels comfortable, and is safe and easy to use;
- High structural strength, high waterproofness, customizable temperature sensors, with automatic EV inlet-opening feature.

Product Parameters

Model	Current	Cable Spec.	Cable OD
YT-ANF-1.0-16AS	16A	3*14AWG+2*18AGW	14MM
YT-ANF-1.0-32AS	32A	3*10AWG+2*18AGW	16MM
YT-ANF-1.0-40AS	40A	3*9AWG+2*18AGW	20MM
YT-ANF-1.0-48AS	48A	2*8AWG+10AWG+2*18AGW	20.5MM
YT-ANF-1.0-65AS	65A	2*6AWG+8AWG+6*22AGW	23.5MM
YT-ANF-1.0-80AS	80A	2*5AWG+8AWG+6*22AGW	25.2MM

Detailed Specifications

Rated Current	16A/32A/40A/28A/65A/80A
Rated Voltage	240V AC
Insulation Resistance	1000MΩ (DC500V)
Contact Resistance	0.5MΩMaX
Withstand Voltage	2000V
Fire-proof Rating	UL94V-0
Cable Jacket	TPE
Mechanical Life	10000 times of unloaded plug in/ off
Protection Level	Type 3R
Enclosure Material	PC
Terminal Pins	Silver-plated copper alloy
Working Temp.	-30°C~50°C
Warranty	24 months
Certification	UL

GB/T DC EV Inlet Socket

Complying with GB/T20234.3-2015 requirements.



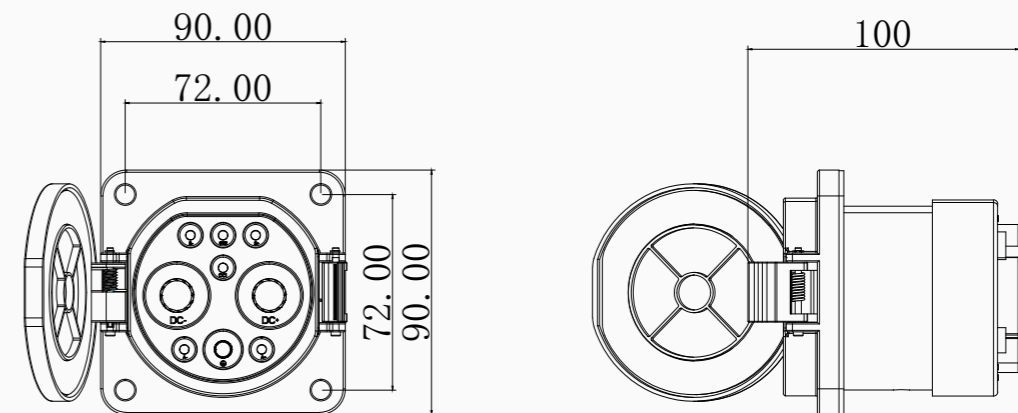
Product Parameters

Model	Current	Cable Spec.
YT-DGI-1.0-80A	80A	3*16MM ² +2*2.5MM ² +4*0.75MM ²
YT-DGI-1.0-125A	125A	2*35MM ² +1*16MM ² +2*2.5MM ² +6*0.75MM ²
YT-DGI-1.0-200A	200A	2*70MM ² +1*25MM ² +2*2.5MM ² +4*0.75MM ²
YT-DGI-1.0-250A	250A	2*80MM ² +1*25MM ² +2*2.5MM ² +4*0.75MM ²

Detailed Specifications

Rated Current	80A/125A/200A/250A	Mechanical Life	10000 times of unloaded plug in/ off
Working Voltage	750V AC/1000V AC	Protection Level	IP54
Insulation Resistance	>1000MΩ (DC1000V)	Enclosure Material	PC
Contact Resistance	0.5MΩMaX	Terminal Pins	Silver-plated copper
Withstand Voltage	3000VAC/1min	Working Temp.	-30°C~50°C
Fire-proof Rating	UL94V-0	Certification	TUV/CE/UKCA/CB
Terminal Temp. Rise	<50K	Wire Color	Customizable

Product Outline Drawing



Type 2 AC EVSE Outlet Socket

Complying with IEC IEC 62196-2:2016 standards;

The well-designed outlet socket has a protective cover and is compatible with all Type 2 EVSEs.



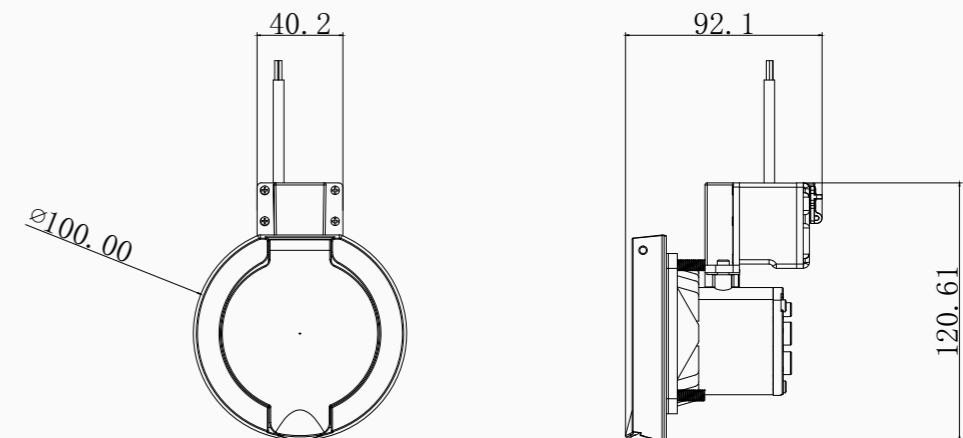
Product Parameters

Model	Current	Cable Spec.
YT-AIO-1.0-16AS	16A	3*2.5MM ² +2*0.5MM ²
YT-AIO-1.0-16AT	16A	5*2.5MM ² +2*0.5MM ²
YT-AIO-1.0-32AS	32A	3*6MM ² +2*0.5MM ²
YT-AIO-1.0-32AT	32A	5*6MM ² +2*0.5MM ²

Detailed Specifications

Rated Current	16A/32A	Mechanical Life	10000 times of unloaded plug in/ off
Working Voltage	250V AC/480V AC	Protection Level	IP55(coupled)
Insulation Resistance	>1000MΩ (DC1000V)	Enclosure Material	Thermoplastic
Contact Resistance	0.5MΩMaX	Terminal Pins	Silver-plated copper alloy
Withstand Voltage	2000VAC/1min	Working Temp.	-30°C~50°C
Fire-proof Rating	UL94V-0	Socket Core	Thermoplastic
Terminal Temp. Rise	<50K	Certification	TUV/CE/UKCA/CB

Product Outline Drawing



Type 2 AC EV Inlet Socket

Complying with 62196-2 IEC 2010 SHEET 2-IIF standards;

With a round base and a protective cover, the socket is easy to assemble;

When coupled, the protection level is IP44.



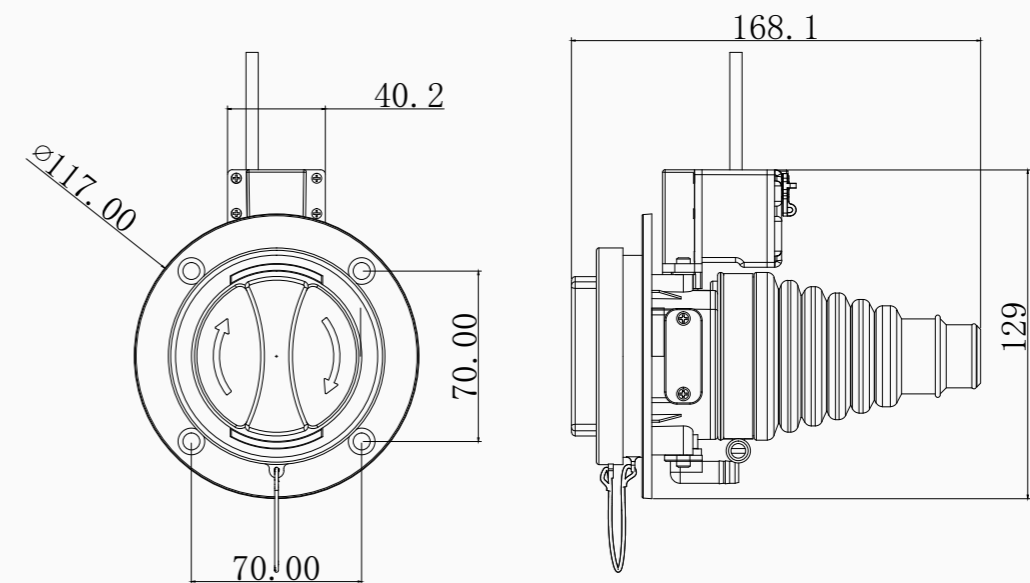
Product Parameters

Model	Current	Cable Spec.
YT-AII-1.0-16AS	16A	3*2.5MM ² +2*0.5MM ²
YT-AII-1.0-16AT	16A	5*2.5MM ² +2*0.5MM ²
YT-AII-1.0-32AS	32A	3*6MM ² +2*0.5MM ²
YT-AII-1.0-32AT	32A	6*6MM ² +2*0.5MM ²

Detailed Specifications

Rated Current	16A/32A	Mechanical Life	10000 times of unloaded plug in/ off
Working Voltage	250V AC/480V AC	Protection Level	IP44 (coupled)
Insulation Resistance	>1000MΩ (DC1000V)	Enclosure Material	Thermoplastic
Contact Resistance	0.5MΩMaX	Terminal Pins	Silver-plated copper alloy
Withstand Voltage	2000VAC/1min	Working Temp	-30°C~50°C
Fire-proof Rating	UL94V-0	Certification	CE
Plug in/ off Force	45N<F<80N	Wire Color	Customizable

Product Outline Drawing



Type 2 AC EV Inlet Socket

Complying with SAE JJ1772-2010 standards;

Elegantly designed, the Type 1 inlet has a left-opening protective cover and is easy to assemble;

When coupled, the protection level is IP44.



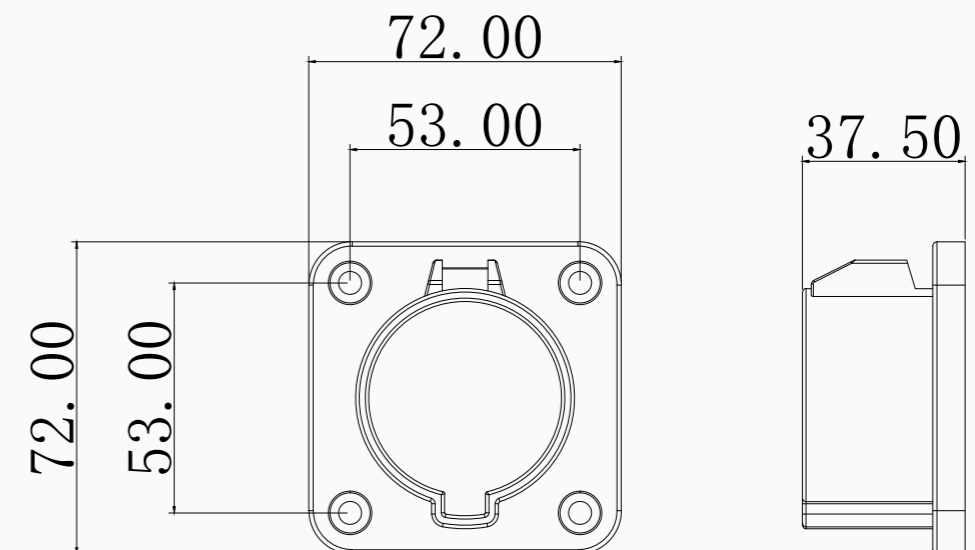
Product Parameters

Model	Current	Cable Spec.
YT-ASI-1.0-16AS	16A	3*2.5MM ² + 2*0.75MM ²
YT-ASI-1.0-32AS	32A	3*6MM ² + 2*0.75MM ²
YT-ASI-1.0-40AS	40A	2*8AWG + 1*10AWG + 1*16AWG
YT-ASI-1.0-48AS	50A	2*8AWG + 1*10AWG + 1*16AWG

Detailed Specifications

Rated Current	16A/32A/40A/50A	Mechanical Life	10000 times of unloaded plug in/ off
Working Voltage	240V AC	Protection Level	IP44(coupled)
Insulation Resistance	>1000MΩ (DC1000V)	Enclosure Material	Thermoplastic
Contact Resistance	0.5MΩMaX	Terminal Pins	Silver-plated copper alloy
Withstand Voltage	2000VAC/1min	Working Temp.	-30°C~50°C
Fire-proof Rating	UL94V-0	Terminal Temp. Rise	<50K
Plug in/ off Force	45N<F<80N		

Product Outline Drawing



ToughVolt A



Optional Adapters



Optional Adapters



Product Parameters

Type	Model	Max Current	Adjustable Currents
Type 2	YT-IP2-07-16AS	16A	8A, 10A, 13A, 16A
Type 2	YT-IP2-07-32AS	32A	16A, 20A, 24A, 32A
Type 1	YT-SP2-07-16AS	16A	8A, 10A, 13A, 16A
Type 1	YT-SP2-07-32AS	32A	16A, 20A, 24A, 32A
Type 1	YT-SP2-07-40AS	40A	16A, 24A, 32A, 40A

Detailed Specifications

Current	Type 2 32A (max)/ Type 1 40A (max)
Power	Type 2 7KW (max)/ Type 1 9.6KW (max)
Cable Length	5m (customizable)
Voltage Range	95V~276V
Working Temp.	-30°C~+55°C
Protection Level	IP67
Enclosure Material	Thermoplastic
Cable Jacket	TPE/TPU

Product Features

Temp. Control	The working temperature of the charger is monitored in real time. Once the set value is exceeded, the charger will immediately stop working. When the temperature returns to normal, the charging session can automatically resume.
Rugged Casing	Made of PC, the enclosure is sturdy and reliable, able to withstand running-over by a 2-ton vehicle.
Protection Designs	Protected against leakage, over-temperature, lightning, over-current, under-voltage, over-voltage, etc.
RCD Type	Type A (30mA AC) or Type A+6mA DC
Certifications	CE

ToughVolt B



Optional Adapters



Optional Adapters



Product Parameters

Type	Model	Max Current	Adjustable Currents
Type 2	YT-IP2-06-16AS	16A	8A, 10A, 13A, 16A
Type 2	YT-IP2-06-32AS	32A	16A, 20A, 24A, 32A
Type 1	YT-SP2-06-16AS	16A	8A, 10A, 13A, 16A
Type 1	YT-SP2-06-32AS	32A	16A, 20A, 24A, 32A
Type 1	YT-SP2-06-40AS	40A	16A, 24A, 32A, 40A

Detailed Specifications

Current	Type 2 32A (max)/ Type 1 40A (max)
Power	Type 2 7KW (max)/ Type 1 9.6KW (max)
Cable Length	5m (customizable)
Voltage Range	95V~276V
Working Temp.	-30°C~+55°C
Protection Level	IP67
Enclosure Material	Thermoplastic
Cable Jacket	TPE/TPU

Product Features

Temp. Control	The working temperature of the charger is monitored in real time. Once the set value is exceeded, the charger will immediately stop working. When the temperature returns to normal, the charging session can automatically resume.
Rugged Casing	Made of PC, the enclosure is sturdy and reliable, able to withstand running-over by a 2-ton vehicle.
Protection Designs	Protected against leakage, over-temperature, lightning, over-current, under-voltage, over-voltage, etc.
RCD Type	Type A (30mA AC) or Type A+6mA DC
Certifications	CE

ToughVolt C



Optional Adapters



Optional Adapters



Product Parameters

Type	Model	Max Current	Adjustable Currents
Type 2	YT-IP2-01-16AS	16A	8A, 10A, 13A, 16A
Type 2	YT-IP2-01-32AS	32A	16A, 20A, 24A, 32A
Type 1	YT-SP2-01-16AS	16A	8A, 10A, 13A, 16A
Type 1	YT-SP2-01-32AS	32A	16A, 20A, 24A, 32A
Type 1	YT-SP2-01-40AS	40A	16A, 24A, 32A, 40A

Detailed Specifications

Current	16A (MAX)
Power	3.5KW (MAX)
Cable Length	5m(customizable)
Voltage Range	95V~276V
Anti-UV	Yes
Working Temp.	-30°C~+55°C
Protection Level	IP67
Enclosure Material	Thermoplastic
Cable Jacket	TPE/TPU

Product Features

Temp. Control	The working temperature of the charger is monitored in real time. Once the set value is exceeded, the charger will immediately stop working. When the temperature returns to normal, the charging session can automatically resume.
Rugged Casing	Made of PC, the enclosure is sturdy and reliable, able to withstand running-over by a 2-ton vehicle.
Protection Designs	Protected against leakage, over-temperature, lightning, over-current, under-voltage, over-voltage, CP, fault, etc,
RCD Type	Type A (30mA AC) or Type A+6mA DC
Certifications	CE

PureCharge



Product Parameters

Type	Model	Max Current	Adjustable Currents
Type 1	YT-SP2-22-16AS	15A	8A, 10A, 13A, 16A
Type 1	YT-SP2-22-15AS	16A	8A, 10A, 13A, 15A
Type 2	YT-IP2-22-16AS	16A	8A, 10A, 13A, 16A
Type 2	YT-IP2-22-13AS	13A	6A, 8A, 10A, 13A

Detailed Specifications

Current	16A (MAX)
Power	3.5 KW(MAX)
Cable Length	5m(customizable)
Voltage Range	95V~276V
Anti-UV	Yes
Working Temp.	-30°C~+55°C
Protection Level	IP67
Enclosure Material	Thermoplastic
Cable Jacket	TPE/TPU

Product Features

IP67	IP67 waterproof and dustproof rated, the charger is suitable for outdoor use. It can work at -40°C on icy and snowy days and also withstand the 55°C heat in summer.
Lighting (Type2 Version)	Solve the problem that the charging environment is too dark and the EV inlet cannot be found.
Current Adjustment	It offers four currents to select for fast or slow charging, compatible with various car models of different power ratings.
RCD Type	Type A (30mA AC) or Type A+6mA DC
Certifications	CE

VisionBoost A



Product Parameters

Type	Model	Max Current	Adjustable Currents
Type 2	YT-IP2-1-32A	32A	10A, 16A, 0A, 24A, 32A
Type 2	YT-IP2-1-16A	16A	6A, 8A, 10A, 13A, 16A
Type 2	YT-IP2-1-13A	13A	6A, 8A, 10A, 13A
Type 1	YT-SP2-1-40A	40A	16A, 20A, 24A, 32A, 40A
Type 1	YT-SP2-1-32A	32A	10A, 16A, 20A, 24A, 32A
Type 1	YT-SP2-1-16A	16A	6A, 8A, 10A, 13A, 16A
Type 1	YT-SP2-1-15A	15A	6A, 8A, 10A, 13A, 15A

Detailed Specifications

Current	40A (MAX)
Power	9.6KW (MAX)
Cable Length	5m(customizable)
Voltage Range	95V~276V
Anti-UV	Yes
Working Temp.	-30°C~+55°C
Protection Level	IP67
Enclosure Material	Thermoplastic
Cable Jacket	TPE/TPU

Product Features

Smartness	Optional Wifi, Bluetooth version to connect to the mobile phone APP "SMART LIFE" for charging control.
Unlocking Feature	With the optional feature of one-touch of a button to open the EV inlet, the charger is a perfect replacement for Tesla's original car charger.
Current Adjustment	It offers five currents to select for fast or slow charging, compatible with various car models of different power ratings.
RCD Type	Type A (30mA C) or Type A + 6mA DC
Certifications	TUV/ CE/ UKCA/ CB

VisionBoost B



Product Parameters

Type	Model	Max Current	Adjustable Currents
Type 2	YT-IP2-1-32A	32A	10A, 16A, 0A, 24A, 32A
Type 2	YT-IP2-1-16A	16A	6A, 8A, 10A, 13A, 16A
Type 2	YT-IP2-1-13A	13A	6A, 8A, 10A, 13A
Type 1	YT-SP2-1-40A	40A	16A, 20A, 24A, 32A, 40A
Type 1	YT-SP2-1-32A	32A	10A, 16A, 20A, 24A, 32A
Type 1	YT-SP2-1-16A	16A	6A, 8A, 10A, 13A, 16A
Type 1	YT-SP2-1-15A	15A	6A, 8A, 10A, 13A, 15A

Detailed Specifications

Current	40A (MAX)
Power	9.6KW (MAX)
Cable Length	5m(customizable)
Voltage Range	95V~276V
Anti-UV	Yes
Working Temp.	-30°C~+55°C
Protection Level	IP67
Enclosure Material	Thermoplastic
Cable Jacket	TPE/TPU

Product Features

Smartness	Optional Wifi, Bluetooth version to connect to the mobile phone APP "SMART LIFE" for charging control.
Unlocking Feature	With the optional feature of one-touch of a button to open the EV inlet, the charger is a perfect replacement for Tesla's original car charger.
Current Adjustment	It offers five currents to select for fast or slow charging, compatible with various car models of different power ratings.
RCD Type	Type A (30mA C) or Type A + 6mA DC
Certifications	TUV/ CE/ UKCA/ CB

VisionBoost A and VisionBoost B (NACS Version)



Product Parameters

Type	Model	Max Current	Adjustable Currents
NACS	YT-NP2-2-40A	40A	16A, 20A, 24A, 32A, 40A
NACS	YT-NP2-2-32A	32A	10A, 16A, 20A, 24A, 32A
NACS	YT-NP2-2-16A	16A	6A, 8A, 10A, 13A, 16A
NACS	YT-NP2-2-15A	15A	6A, 8A, 10A, 13A, 15A

Detailed Specifications

Current	40A (MAX)
Power	9.6KW (MAX)
Cable Length	5m(customizable)
Voltage Range	95V~276V
Anti-UV	Yes
Working Temp.	-30°C~+55°C
Protection Level	IP67
Enclosure Material	Thermoplastic
Cable Jacket	TPE

Product Features

IP67	IP67 waterproof and dustproof rated, the charger is suitable for outdoor use. It can work at -40°C on icy and snowy days and also withstand the 55°C heat in summer.
Unlocking Feature	With the optional feature of one-touch of a button to open the EV inlet, the charger is a perfect replacement for Tesla's original car charger.
Current Adjustment	It offers five currents to select for fast or slow charging, compatible with various models of different power ratings.
RCD Type	Type A (30mA AC)
Certifications	UL for the NACS cable

PureCharge (NACS Version)



Product Parameters

Type	Model	Max Current	Adjustable Currents
NACS	YT-NP2-01-16AS	16A	8A, 10A, 13A, 16A
NACS	YT-NP2-01-15AS	15A	8A, 10A, 13A, 15A

Detailed Specifications

Current	16A (MAX)
Power	3.8KW (MAX)
Cable Length	5m(customizable)
Voltage Range	110V/240V
Anti-UV	Yes
Working Temp.	-30°C~+55°C
Protection Level	IP67
Enclosure Material	Thermoplastic
Cable Jacket	TPE

Product Features

Temp. Control	The working temperature of the charger is monitored in real time. Once the set value is exceeded, the charger will immediately stop working. When the temperature returns to normal, the charging session can automatically resume.
Rugged Casing	Made of PC, the enclosure is sturdy and reliable, able to withstand running-over by a 2-ton vehicle.
Protection Designs	Protected against leakage, over-temperature, lightning, over-current, under-voltage, over-voltage, CP fault, etc.
RCD Type	Type A (30mA AC)
Certifications	CE

TriPower



Product Parameters

Type	Model	Max Current	Adjustable Currents
Type 2	YT-IP2-05-16AT	11KW	6A, 8A, 10A, 13A, 16A
Type 2	YT-IP2-05-32AT	22KW	10A, 16A, 20A, 24A, 32A

Detailed Specifications

Rated Working Current	16A/32A (three phase)
Power	Max 22kW
Cable Length	5m(customizable)
Voltage Range	380V
Anti-UV	Yes
Working Temp.	-25°C~+50°C
Protection Level	IP65
Enclosure Material	Thermoplastic
Cable Jacket	TPU
RCD Type	Type A (30mA AC) + 6mA DC

Product Features

Power	22KW for the 32A version and 11KW for the 16A version.
Temp. Control	The working temperature of the charger is monitored in real time. Once the set value is exceeded, the charger will immediately stop working. When the temperature returns to normal, the charging session can automatically resume.
Rugged Casing	Made of PC, the enclosure is sturdy and reliable, able to withstand running-over by a 2-ton vehicle.
Protection Designs	Protected against leakage, over-temperature, lightning, over-current, under-voltage, over-voltage, etc.
Charging Delay	By setting the vehicle's start-charging time on the display, the user is able to charge the car when ever he wants.
Protection Level	IP65
Certifications	CE